

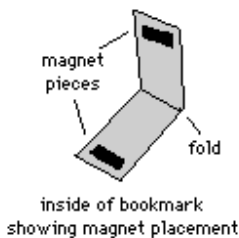
BOOKS / LIBRARIES

ART

BOOKMARKS

Using old greeting cards, cut picture side into 2 inch strip. Cover with contact paper. Punch hole in top and add yarn tassel.

MAGNETIC BOOKMARKS



Cut 4" x 2" strips of card stock and decorate with stickers or color. Attach strip magnets as shown to make magnetic bookmarks.

SONGS

HANDLE WITH CARE (to tune of "Twinkle, Twinkle, Little Star")

Treat a book with loving care;
It will be a gift to share.
Turn the pages carefully
And be gentle as can be.
Treat it kindly to the end;
A book will always be your friend.

THE LIBRARY

1 There's a place for you

2 and a place for me,

3 it's the lo - cal pub - lic lib - ra - ry.

5 They have books and things that they lend for free,

7 It's the la - test it's the grea - test it's the lib - ra - ry.

There's a place for you
and a place for me,
It's the local public library.
They have books and
things that they lend for
free
It's the latest, it's the
greatest, it's the library.

LOOK AT BOOKS (to tune of "The Farmer in the Dell")

Books are fun to read.
Books are fun to read.
Hey, ho, we all know
Books are fun to read.

The title is the name....
The author writes the words...
The illustrator adds pictures...

OTHER FUN STUFF

FIELD TRIP

Set up a field trip to the Public Library. Pick an animal to learn about and have the librarian show the kids how to find non-fiction books.

FELT BOOKS

Stack six to eight felt squares one on top of the other and stitch them together on the left-hand side to make a book. Cut simple shapes, such as a ball, a flower, a house and a star, out of felt and glue one shape on each page. Cut out a felt bear shape and place it on the cover of the book. Let the children help you tell a story about the bear as you move it from page to page.

STORY TRAIN

When you're ready for storytime, start walking around the room reciting the following rhyme - When the kids see and hear you, they should put away their current activity and join the Story Train by hooking on to your back. As soon as most of the kids are hooked up, lead the train into the storytime area and have the kids sit down.

Story train, story train,
Chugging down the track.
It is time for stories
So hook on to my back.
Story train, story train,
Chugging all around.
When everyone's aboard,
We'll all sit down.

PAPERMAKING

Paper is usually made from trees, but you can recycle tissue and make your own paper.

- 1 Cut a piece of screen and fold the edges twice to make a frame.
- 2 Tear up some tissues. You will need about 3 tissues for a 5" x 6" piece of paper. Add enough hot water to fill the bowl about $\frac{3}{4}$ full.
- 3 Beat the tissues and water to make a "slurry." Add a tablespoon of starch.
- 4 Pour the slurry into a shallow pan.
- 5 Slide the screen to the bottom of the pan and gently move it around to get an even layer of the slurry on top of the screen.
- 6 Lift the screen straight out of the pan. Hold the screen over the pan so that some of the water can drain off.
- 7 Place the screen, with the pulp side up, on a stack of newspaper. Lay small flowers, leaves and grasses on the pulp, if you wish.
- 8 Cover your paper with more newspaper and roll with a rolling pin to squeeze out the water.
- 9 Lift off the top newspaper. Gently peel the homemade paper from the screen and allow it to dry on dry newspaper.

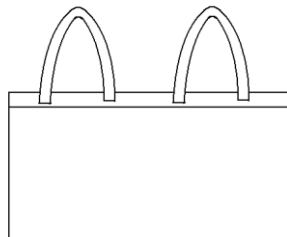
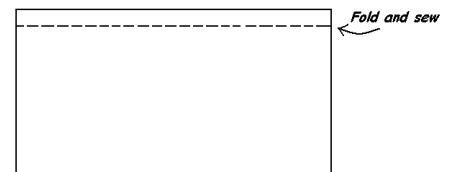
BOOK BAGS



Cut a piece of canvas material 25" x 13".
Fold down $\frac{1}{2}$ " along top edge for hem.

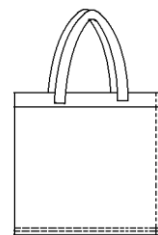
Sew 2 12" straps to top of bag as shown.

Double stitch the straps for strength!



Fold the bag in half with right sides together.
Stitch down side and bottom. Double stitch bottom for strength.

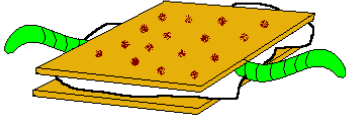
Turn bags right-side out. Slip a piece of cardboard into the bag. Allow kids to decorate the bags with fabric markers. When dry, remove the cardboard. Take the book bags with you when you visit



the library.

SNACK

BOOKWORMS



Spread marshmallow cream between 2 graham crackers (the book). Tuck in a couple of gummy worms. You can also use peanut butter or cream cheese.

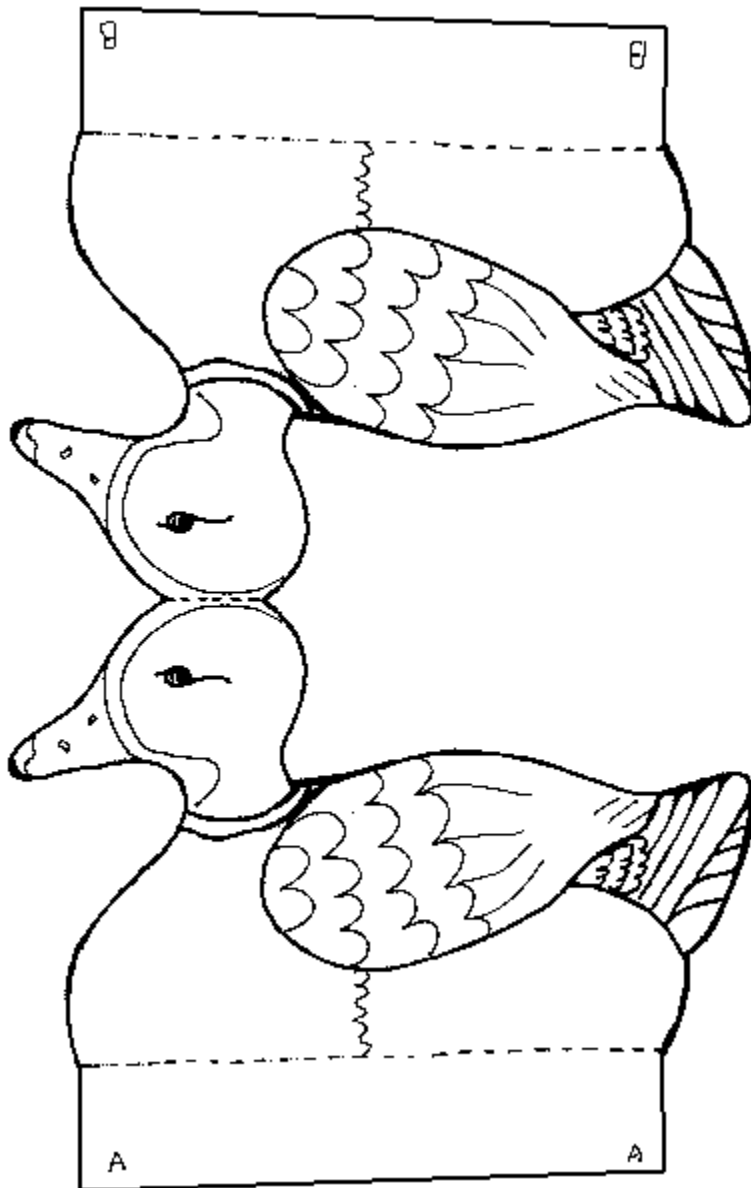
FINGERPLAYS

MY BOOK

This is my book (Hold hands together)
It will open wide (Open hands)
To show the pictures that are inside.

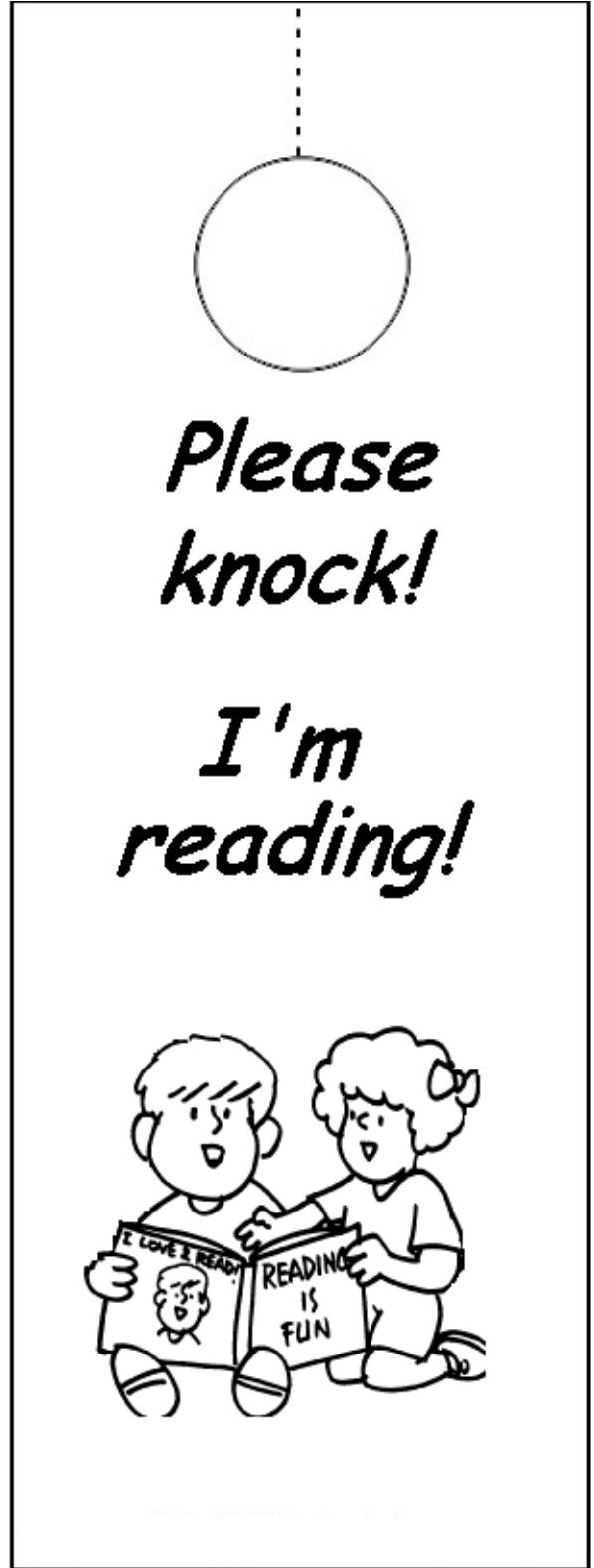
DUCK BOOKMARK

Copy pattern onto cardstock for each child. Allow them to color and cut. Glue a small strip magnet to back of tabs A and B. Fold duck in $\frac{1}{2}$. Bookmark fold over top of pages and magnet holds in place.



DOOR HANGERS

Copy patterns onto card stock. Let kids color. Cut out the circle to make a door hanger.

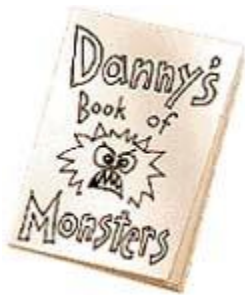


BOOKWORM PUPPET

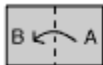



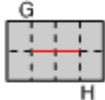


Put your hand in a green sock, four fingers up, thumb down.
 With index finger of other hand, push sock in until your finger hits the palm of the other hand. Use your thumb in index finger to bring the sides together to form the mouth.
 Take off sock and secure the mouth with a few stitches.
 Add big wiggle eyes.
 Use your bookworm puppet to devour books!



FOLDED BOOKLET



Use this publisher's trick to fold and cut a six-page book that requires no staples and can be turned into anything from a spy notebook to a scientist's journal.

1.  Fold A over B
2.  Fold C down to D
3.  Fold E over to F
4.  Unfold twice. (will look like #2. Cut on solid line.
5.  Open paper all the way. Fold G to H.
6.  Push from ends so I meets J. Press down on folds to smooth edges
7.  Color and write your own book!

BOOKS ABOUT BOOKS, LITERACY, & READING

CALL NUMBER	AUTHOR	TITLE
J 002 HAY	Hayward	I Am A Book
J 002 MAR	Marshall	From Idea To Book
J 020.9 SIM	Simon	Lewis The Librarian
J 020.92 FLA	Flanagan	Librarians
J 023.2 REA	Ready	Librarians
J 027 PRI	Prieto	B Is For Bookworm – A Library Alphabet
J 027.4 HOE	Hoena	Library
J 028 DEG	DeGezelle	Manners At The Library
J 973.4 ROS	Rosenstock	Thomas Jefferson Builds A Library
J 811 LEW	Lewis	Please Bury Me In The Library
J 811 LEW	Lewis	Spot The Plot – A Riddle Book Of Book Riddles
J 811 STU	Sturges	She'll Be Comin' 'Round the Mountain
J 92 MOORE	Pinborough	Miss Moore Thought Otherwise
E AHLBERG	Ahlberg	Fairy Tales For Mr. Barker
E ALIKI	Aliki	Push Button
E ALEXANDER	Alexander	Surf's Up
E ALLEN	Allen	I'm Not Reading!
E AMADO	Amado	What Are You Doing?
E ANHOLT	Anholt	Come Back, Jack
E AUCH	Auch	Buk Buk Buk Festival
E AVI	Avi	Prairie School
E BANKS	Banks	Bear In The Book
E BARNETT	Barnett	Chloe And The Lion
E BARNETT	Barnett	How This Book Was Made
E BARROUX	Barroux	Mr. Katapat's Incredible Adventures
E BECKER	Becker	Library Book For Bear
E BEEBE	Beebe	Brother Hugo And The Bear
E BERENSTAIN	Berenstain	Nothing Ever Happens At The South Pole
E BERNE	Berne	Calvin Can't Fly
E BERNHEIMER	Bernheimer	Lonely Book
E BERTRAM	Bertram	Best Book to Read
E BERTRAM	Bertram	Best Place to Read
E BETTRAM	Betram	Best Time to Read
E BINGHAM	Bingham	Z Is For Moose
E BLOOM	Bloom	Mighty Fine Time Machine
E BLOOM	Bloom	Wolf!
E BOTTNER	Bottner	Miss Brooks Loves Books (And I Don't)
E BOTTNER	Bottner	Miss Brooks' Story Nook
E BROWN	Brown	Author Writes A Story
E BROWN	Brown	D.W.'s Library Card

E BROWNE	Browne	No Problem
E BRUSS	Bruss	Book! Book! Book!
E BRUTSCHY	Brutschy	Just One More Story
E BUNTING	Bunting	Our Library
E BUNTING	Bunting	Wednesday Surprise
E BURLEIGH	Burleigh	I Love Going Through This Book
E BUSH	Bush	Read All About It
E BUZZEO	Buzzeo	Inside The Books
E BUZZEO	Buzzeo	Library Doors
E BUZZEO	Buzzeo	No T. Rex In The Library
E BUZZEO	Buzzeo	Our Librarian Won't Tell Us Anything
E BYRNE	Byrne	This Book Just Ate My Dog
E CAPLE	Caple	Duck & Company
E CAPUCILLI	Capucilli	Biscuit Loves The Library
E CARLSON	Carlson	I Don't Like To Read
E CASELEY	Caseley	Sophie And Sammy's Library Sleepover
E CATALANOTTO	Catalanotto	Ivan The Terrier
E CAZET	Cazet	Will You Read To Me?
E CHAPMAN	Chapman	Too Much Noise In The Library
E CHARTRAND	Chartrand	Taming Horrible Harry
E CHILD	Child	But Excuse Me That Is My Book
E CHILD	Child	Who's Afraid Of The Big Bad Book?
E CHRISTELOW	Christelow	Five Little Monkeys Reading In Bed
E CLEMINSON	Cleminson	Otto The Book Bear
E CLICKARD	Clickard	Victricia Malicia – Book-Loving Buccaneer
E COBB	Cobb	B Is For Books
E CODELL	Codell	Fairly Fairy Tales
E COHEN	Cohen	When Will I Read?
E COLANDRO	Colandro	There Was An Old Lady Who Swallowed Some Books
E COSGROVE	Cosgrove	Ira Wordworthy
E COTTER	Cotter	Don't Touch This Book
E COUSINS	Cousins	Maisy Goes To The Library
E COUSINS	Cousins	Maisy Goes To The Local Bookstore
E CUSHMAN	Cushman	Dirk Bones And The Mystery Of The Missing Books
E CUYLER	Cuyler	Hooray For Reading Day
E DALY	Daly	Once Upon A Time
E DAVIS	Davis	Librarian's Night Before Christmas
E DEEDY	Deedy	Library Dragon
E DEEDY	Deedy	Return Of The Library Dragon
E DELASCASAS	de Las Casas	Little "Read" Hen
E DELASCASAS	de Las Casas	There's A Dragon In The Library
E DIPUCCHIO	DiPucchio	Alfred Zector, Book Collector
E DIPUCCHIO	DiPucchio	Dragon Was Terrible

E DOCHERTY	Docherty	Snatchabook
E DOCHERTY	Docherty	Story Book Knight
E DRISCOLL	Driscoll	Duncan The Story Dragon
E DUVOISIN	Duvoisin	Petunia
E ELLIOTT	Elliott	Grover Learns To Read
E ELWELL	Elwell	Adios Oscar
E EMERSON	Emerson	Monster Boy At The Library
E ENDERLE	Enderle	Library Gingerbread Man
E ERNST	Ernst	Stella Louella's Runaway Book
E FALLER	Faller	Polo – The Runaway Book
E FINCHER	Fincher	Miss Malarkey Leaves No Reader Behind
E FORE	Fore	Read to Tiger
E FOX	Fox	Bedtime Story
E FRASER	Fraser	I.Q. Goes to the Library
E FUNKE	Funke	Book No One Ever Read
E GARLAND	Garland	King Puck
E GAY	Gay	Any Questions?
E GEORGE	George	Book
E GERSTEIN	Gerstein	Book
E GONZALEZ	Gonzalez	Storyteller's Candle
E GORE	Gore	Wonderful Book
E GRAMBLING	Grambling	Can I Bring Woolly To The Library, Ms. Reeder?
E GRAVETT	Gravett	Again!
E GRAVETT	Gravett	Wolves!
E GRAY	Gray	Twoo Twit
E GREENE	Greene	No Pirates Allowed! Said Library Lou
E GRISWELL	Griswell	Rufus Goes To School
E GUTMAN	Gutman	Rappy Goes To The Library
E HARPER	Harper	Big Surprise For Little Card
E HARRIS	Harris	Maybe A Bear Ate It!
E HASELEY	Haseley	Story For Bear
E HEAP	Heap	Four Friends Together
E HEIDE	Heide	House Of Wisdom
E HENSON	Henson	That Book Woman
E HEST	Hest	Mr. George Baker
E HIGGINS	Higgins	Be Quiet!
E HILLENBRAND	Hillenbrand	Snowman's Story
E HILLERT	Hillert	Dear Dragon Goes To The Library
E HILLERT	Hillert	Dear Dragon Learns To Read
E HILLS	Hills	Drop It, Rocket
E HILLS	Hills	How Rocket Learned To Read
E HILLS	Hilld	Rocket Writes A Story
E HOBERMAN	Hoberman	You Read To Me, I'll Read To You (series)
E HOPKINS	Hopkins	Goldie Socks And The Three Libearians

E HOPKINS	Hopkins	Shelf Elf Helps Out
E HOUSTON	Houston	Miss Dorothy's Bookmobile
E JEFFERS	Jeffers	Shelf Elf Helps Out
E JENNINGS	Jennings	Franklin And The Stopwatch
E JENNINGS	Jennings	Franklin's Library Book
E JOHNSON	Jonhson	Henry Works
E JOHNSTON	Johnston	Amber On The Mountain
E JEFFERS	Jeffers	Child Of Books
E JERAM	Jeram	I Love My Little Storybook
E JOYCE	Joyce	Fantastic Flying Books Of Mr. Morris Lessmore
E KIMMEL	Kimmel	I Took My Frog To The Library
E KING	King	Librarian On The Roof
E KIRK	Kirk	Library Mouse (series)
E KLAUSMEIER	Klausmeier	Open This Little Book
E KLEIN	Klein	Max Goes To The Library
E KNUDSEN	Knudsen	Library Lion
E KROLL	Kroll	Patches Lost And Found
E LAKIN	Lakin	Clarence the Copycat
E LAKIN	Lakin	Rainy Day
E LAMM	Lamm	Pirates
E LIES	Lies	Bats Night At The Library
E LINDBERGH	Lindbergh	Homer, The Library Cat
E LONDON	London	Froggy Goes To The Library
E MACK	Mack	Look!
E MACKENZIE	MacKenzie	Wanted! Ralfy Rabbit, Book Burglar
E MAITLAND	Maitland	Bookstore Burglar
E MANLEY	Manley	Summer Nick Taught His Cats To Read
E MARCOTTE	Marcotte	Mom, Dad, Our Books And Me
E MARLOW	Marlow	Hurry Up And Slow Down
E MARSHALL	Marshall	I Hate To Read
E MAYR	Mayr	Littlebat's Halloween Story
E MCDONALD	McDonald	When The Library Lights Go Out
E MCDONNELL	McDonnell	Perfectly Messed-Up Story
E MCGEE	McGee	Winston The Book Wolf
E MCPHAIL	McPhail	Edward And The Pirates
E MCPHAIL	McPhail	Santa's Book Of Names
E MCQUINN	McQuinn	Lola At The Library
E MCQUINN	McQuinn	Lola Loves Stories
E MEDDAUGH	Meddaugh	Hog-Eye
E MEISTER	Meister	Tiny Goes To The Library
E MENG	Meng	I Will Not Read This Book
E MENG	Meng	Wonderful Thing About Hiccups
E MESSNER	Messner	How To Read A Story
E MILLER	Miller	Richard Wright And The Library Card
E MILORD	Milord	Happy 100th Day

E MORA	Mora	Book Fiesta!
E MORA	Mora	Tomas And The Library Lady
E MORRIS	Morris	Boy Who Was Raised By Librarians
E MORTIMER	Mortimer	Red Riding Hood And The Sweet Little Wolf
E MORTON	Morton	Library Pages
E MUNTEAN	Muntean	Kermit And Robin's Scary Story
E MURPHY	Murphy	Koala And The Flower
E MYRON	Myron	Dewey's Christmas At The Library
E NUMEROFF	Numeroff	Jellybeans And The Big Book Bonanza
E OBYRNE	O'Byrne	Open Very Carefully – A Book With Bite
E OHORA	Ohora	Not So Quiet Library
E OCONNOR	O'Connor	Fancy Nancy – Best Reading Buddy
E OCONNOR	O'Connor	Fancy Nancy – The Dazzling Book Report
E OMALLEY	O'Malley	Once Upon A Cool Motorcycle Dude
E PARISH	Parish	Amelia Bedelia, Bookworm
E PARISH	Parish	Amelia Bedelia's First Library Card
E PARSLEY	Parsley	If You Ever Want To Bring A Circus To The Library, Don't!
E PATERSON	Paterson	Marvin One Too Many
E PAULI	Pauli	Fox In The Library
E PEARSON	Pearson	Elephant's Story
E PEARSON	Pearson	How To Teach A Slug To Read
E PECK	Peck	Pirate Treasure Hunt
E PERRY	Perry	Book That Eats People
E PINKNEY	Pinkney	Read And Rise
E POLACCO	Polacco	Aunt Chip & The Great Triple Creek Affair
E POLACCO	Polacco	Thank You, Mr. Falkner
E PORTE	Porte	Harry In Trouble
E PULVER	Pulver	Author Day For Room 3T
E REESE	Reese	Library Bear
E REID	Reid	Comin' Down To Storytime
E REY	Rey	Curious George Goes To A Bookstore
E OLIVER	Oliver	Bears Make The Best Reading Buddies
E REY	Rey	Curious George Visits The Library
E ROCKWELL	Rockwell	Library Day
E ROSEN	Rosen	Send For A Superhero!
E ROSS	Ross	I Want A Bedtime Story
E RUZZIER	Ruzzier	This Is Not A Picture Book
E RYLANT	Rylant	Annie And Snowball And The Book Bugs Club
E RYLANT	Rylant	Mr. Putter And Tabby Turn The Page
E RYLANT	Rylant	Mr. Putter And Tabby Write The Book
E SAINTLOT	Saint-Lot	Amadi's Snowman
E SALTZBERG	Saltzberg	Hug This Book
E SALTZBERG	Saltzberg	Inside This Book (Are Three Books)
E SCHOENHERR	Schoenherr	Read It, Don't Eat It!

E SEUSS	Seuss	I Can Read With My Eyes Shut
E SHEA	Shae	Dinosaur vs. The Library
E SHETH	Sheth	There's A Tiger In My Soup
E SHIELDS	Shields	Library Lily
E SIERRA	Sierra	Born To Read
E SIERRA	Sierra	Make Way For Readers
E SIERRA	Sierra	Mind Your Manners, B.B. Wolf
E SIERRA	Sierra	Wild About Books
E SILVESTRO	Silvestro	Bunny's Book Club
E SPANYOL	Spanyol	Carlo And The Really Nice Librarian
E STAAKE	Staaake	Look – A Book!
E STAAKE	Staaake	My Pet Book
E STADLER	Stadler	Beverly Billingsly Borrows A Book
E STANLEY	Stanley	Raising Sweetness
E STANTON	Stanton	Did You Take The B From My _ook?
E STEIN	Stein	Interrupting Chicken
E STEWART	Stewart	Library
E STOEKE	Stoeke	It's Library Day
E STOOP	Stoop	Red Knit Cap Girl And The Reading Tree
E TERRY	Terry	L Is For Library
E THALER	Thaler	Librarian From The Black Lagoon
E THOMAS	Thomas	Take Care Good Knight
E TULLET	Tullet	Help! We Need A Title!
E TURNER	Turner	Pumpkin Cat
E TWOHY	Twohy	Poindexter Makes A Friend
E VANBIESEN	Van Biesen	Roger Is Reading A Book
E VANLEEUEWEN	Van Leeuwen	Amanda Pig, First Grader
E VERNICK	Vernick	Edgar's Second Word
E WALSH	Walsh	Jack's Tale
E WATT	Watt	Have I Got A Book For You
E WEEKS	Weeks	Catfish Kate And The Sweet Swamp Band
E WELLS	Wells	Read To Your Bunny
E WELLS	Wells	Read Me A Story
E WELLS	Wells	Ready To Read
E WELLS	Wells	Yoko Learns To Read
E WHEELER	Wheeler	Bookstore Cat
E WILD	Wild	Treasure Box
E WILLEMS	Willems	We Are In A Book!
E WILLIAMS	Williams	Library Lil
E WINCH	Winch	Old Woman Who Loved To Read
E WINTER	Winter	Biblioburro
E YACCARION	Yaccarino	I Am A Story
E YATES	Yates	Dog Loves Books
E YOLEN	Yolen	Baby Bear's Books
E YOO	Yoo	Little Red Fish

E YOUNG Young Pet For Miss Wright

DVD's

J 791.43 ELM Elmo's Learning Adventures (Elmo And The Bookaneers)
J 791.43 JAK Jakers! The Adventures Of Piggley Winks – Wish Upon A Story
J 791.43 STO Storytime With Spot

SOUND RECORDINGS

J 782.42 CATSPAJAMAS Reading Rocks (I'm A Bookworm; Read To Me)

This list was updated on 8-2-17